



## **PR-5000 Framing**

The PR-5000 FRAMING is belong to PR-5000 series, with automatic framing system. Square, prism, triangle and so on, at different shapes and sizes. Besides, each framing blade can shaped individually, while the entire image framing module can rotate at 90°.

### **Main Features:**

- 11°~60°linearly adjustable zoom
- DMX512 wireless signal receiver
- Double strobe/shutter blades, 0.3~25F.P.S
- 1 Framing Module: 4 sets of framing blades

### **Other Features:**

- 1500W discharge lamp
- CYM color mixing +7 dichroic color filters + linear CTO
- 6 indexable rotating gobos(at high speed) +7 fixed gobos
- DMX control, linearly adjustable focus (in 16 Bit)
- Linearly adjustable dimmer, iris
- 1 prism wheel with 1 x 3-facet prism (bi-directionally, rotatable, indexable)
- 1 Frost Wheel
- Channels: Short Mode: 30, Standard Mode: 35. Extended Mode: 51
- Optional DMX512 wireless signal transmitter
- Network interface reserved
- Input signal isolating protection
- Energy saving function of the ballast
- Built-in analyzer for easy fault finding, error messages
- Setup options by rechargeable battery inside without power connection
- Modular construction for easy maintenance

### **Standard Accessories:**

G clamps, 2 pcs; XLR connectors, 1 pc

Safety cord, 2 pcs; Spare gobos 4 pcs

1582 Xingye Avenue, Nancun, Panyu, Guangzhou, 511442, China  
+86-20-3995 2379 Fax.: +86-20-3995 2330 [www.pr-lighting.com](http://www.pr-lighting.com)

**Optional Accessories:**  $\Omega$  clamps, 2 pcs

## **Technical Data:**

**Power Supply:** 200V/220V/230V/240V AC, 50/60Hz

**Power Consumption:** 1800W@220V

### **Light Source:**

OSRAM HTI 1500W/60/P50 Lok-it!  
(6,000K, 750hrs, PGJX50, single-ended)  
Or PHILIPS MSR Gold 1500 Fast-Fit  
(6,000K, 750hrs, PGJX50, single-ended)

### **COLOURS:**

Smooth CYM colour mixing system with macro  
1 wheel with 7 dichroic colour filters plus white  
Half color effect, With variable speed bi-directional rainbow effect  
Step/linear colour changing is available

### **COLOUR TEMPERATURE CORRECTION:**

Linearly colour temperature correction

### **GOBOS:**

#### **1 Rotating gobo wheel:**

6 interchangeable gobos+ white, glass or metal gobos can be fixed  
Indexable, bi-directionally rotatable at variable speeds and shakable

#### **1 Fixed gobo wheel :**

7 interchangeable gobos+ white  
bi-directional wheel scrolling at variable speeds and shakable  
Gobo diameter:  $\Phi$ 36.3mm  
Gobo image diameter:  $\Phi$ 23mm  
1 Framing module: 4 sets of framing blades  
0°~90°rotation ,graphics at different sizes and shapes, curtain effect.

### **PRISM WHEEL:**

1x3 facet prism, Indexable, bi-directionally rotatable at variable speeds

1582 Xingye Avenue, Nancun, Panyu, Guangzhou, 511442, China  
+86-20-3995 2379 Fax.: +86-20-3995 2330 [www.pr-lighting.com](http://www.pr-lighting.com)

**FROST WHEEL:**

Frost effect

**FOCUS:**

DMX linear focus

**DIMMER:**

0-100% linearly adjustable

**IRIS:**

5-100% linearly adjustable

Macro

**SHUTTER:**

Double shutter blades, 0.3~25 F.P.S

**HEAD MOVEMENT:**

Pan 540°, Tilt 270° with auto position correction

**BEAM ANGLE:**

11°~60°, Linear zoom in 16 bit precision

**CONTROL:**

DMX512, 3 pin and 5 pin interfaces

RDM control protocol

30 channels in short mode, 35 channels in standard mode, and 51 channels in extended mode.

Self-test mode

**OTHER FUNCTIONS:**

Adjustable Pan & Tilt speed

Fixture and lamp usage time display

LCD display

Energy saving function of the ballast

Built-in analyzer for easy fault finding, error messages

Modular construction for easy maintenance

Setup options by chargeable battery inside without power connection.

Input signal isolating protection

Network interface

1582 Xingye Avenue, Nancun, Panyu, Guangzhou, 511442, China  
+86-20-3995 2379 Fax.: +86-20-3995 2330 [www.pr-lighting.com](http://www.pr-lighting.com)

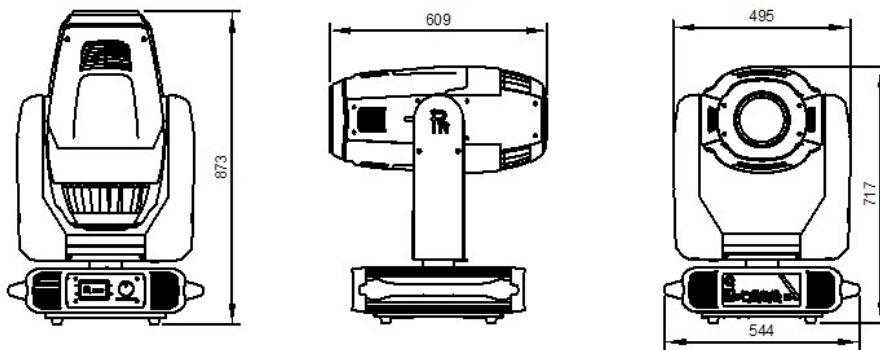
DMX512 wireless receiver  
 DMX512 wireless transmitter (optional)

**HOUSING:**

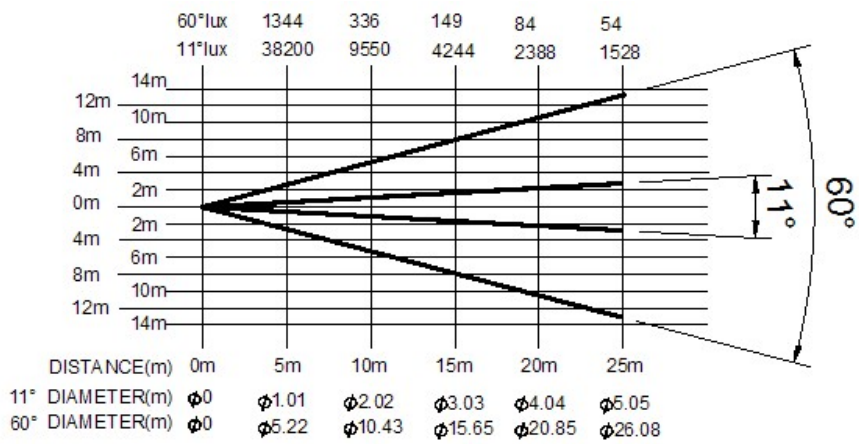
Composite plastic, IP20

**WEIGHT:** 50Kg

**SIZES:**



**LIGHT OUTPUT:**



1582 Xingye Avenue, Nancun, Panyu, Guangzhou, 511442, China  
 +86-20-3995 2379 Fax.: +86-20-3995 2330 [www.pr-lighting.com](http://www.pr-lighting.com)