



## PR-5000 Wash/Beam

The PR-5000 WASH/BEAM is belong to PR-5000 series as well, with both wash and beam available in one that makes it easy to be converted via DMX, without any change will be needed. Besides, with 5.3°in highlight mode(Beam) and 15.81°~31.05°linearly zoom(Wash).

### Main Features:

- Beam Angle:  
Wash: linearly zoom from 15.81° to 31.05°  
Beam: 5.3°in highlight mode
- DMX512 wireless signal receiver
- Double strobe/shutter blades, 0.3~25F.P.S

### Other Features:

- 1500W discharge lamp
- CYM color mixing + 7 dichroic color filters + linear CTO
- 7 fixed gobos (all easily interchangeable)
- Linear zooming
- 0-100% linearly adjustable dimmer
- Channels: Short Mode: 13, Standard Mode: 17. Extended Mode: 22
- Optional DMX512 wireless transmitter
- Network interface reserved
- Input signal isolating protection
- Energy saving function of the ballast
- Built-in analyzer for easy fault finding, error messages
- Setup options by chargeable battery inside without power connection
- The LCD display with the menu in two languages
- Modular construction for easy maintenance

### Standard Accessories:

G clamps, 2 pcs; XLR connectors, 1 pc

Safety cord, 2 pcs; Spare gobos 4 pcs

### Optional Accessories: Ω clamps, 2 pcs

1582 Xingye Avenue, Nancun, Panyu, Guangzhou, 511442, China  
+86-20-3995 2379 Fax.: +86-20-3995 2330 [www.pr-lighting.com](http://www.pr-lighting.com)

## **Technical Data:**

**Power Supply:** 200V/220V/230V/240V AC, 50/60Hz

**Power Consumption:** 1800W@220V

### **Light Source:**

OSRAM HTI 1500W/60/P50 Lok-it!  
(6,000K, 750hrs, PGJX50, single-ended)  
Or PHILIPS MSR Gold 1500 Fast-Fit  
(6,000K, 750hrs, PGJX50, single-ended)

### **COLOURS:**

Linear CYM colour mixing system with macro  
1 wheel with 7 dichroic colour filters plus white  
Half color effect, With variable speed bi-directional rainbow effect  
Step/linear colour changing is available

### **COLOUR TEMPERATURE CORRECTION:**

Linearly colour temperature correction

### **GOBOS:**

#### **1 Fixed gobo wheel:**

7 interchangeable gobos+ white  
Shaking and bi-directional wheel scrolling at variable speeds  
Gobo diameter:  $\Phi 36.3\text{mm}$   
Gobo image diameter:  $\Phi 23\text{mm}$

### **ZOOM:**

Linear Zooming

### **DIMMER:**

0-100% linearly adjustable

### **STROBE:**

Double shutter blades, 0.3~25 F.P.S

### **HEAD MOVEMENT:**

Pan 540°, Tilt 270° with auto position correction

1582 Xingye Avenue, Nancun, Panyu, Guangzhou, 511442, China  
+86-20-3995 2379 Fax.: +86-20-3995 2330 [www.pr-lighting.com](http://www.pr-lighting.com)

**BEAM ANGLE:**

**BEAM** : 5.3°bright mode

**WASH**: 15.81°~31.05°, Linear zoom in 16 bit precision

**CONTROL:**

DMX512, 3 pin and 5 pin interfaces

RDM control protocol

13 channels in short mode, 17channels in standard mode, and 22channels in extended mode.

Self-test mode

**OTHER FUNCTIONS:**

Adjustable Pan & Tilt speed

Fixture and lamp usage time display

LCD display

Energy saving function of the ballast

Built-in analyzer for easy fault finding, error messages

Modular construction for easy maintenance

Setup options by chargeable battery inside without power connection.

Input signal isolating protection

Network interface

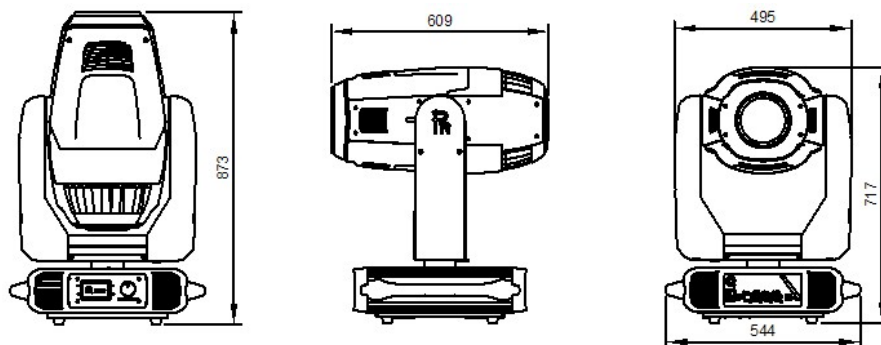
DMX512 wireless receiver

DMX512 wireless transmitter (optional)

**HOUSING:**

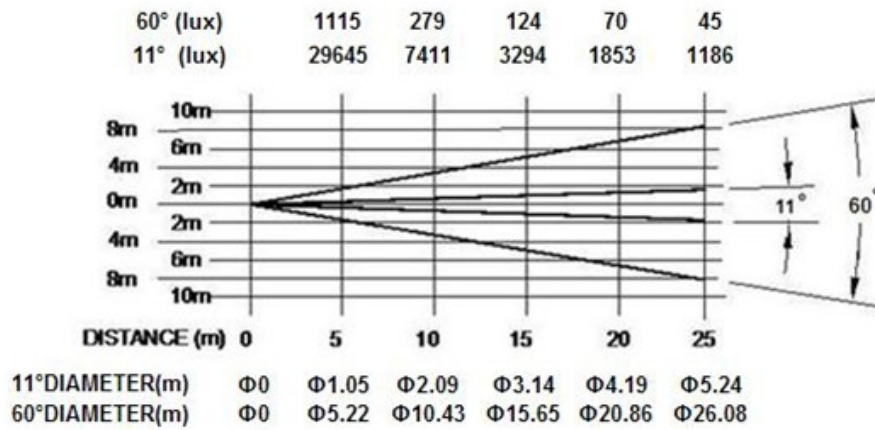
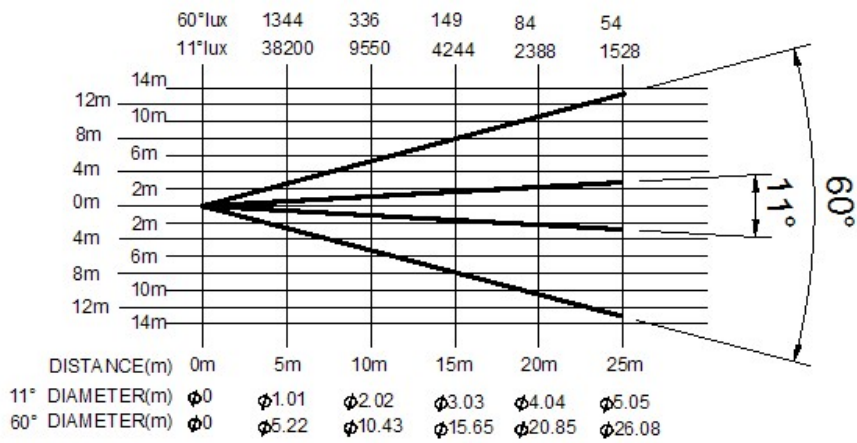
Composite plastic, IP20

**WEIGHT:** 46Kg

**SIZES:**

1582 Xingye Avenue, Nancun, Panyu, Guangzhou, 511442, China  
+86-20-3995 2379 Fax.: +86-20-3995 2330 [www.pr-lighting.com](http://www.pr-lighting.com)

**LIGHT OUTPUT:**



1582 Xingye Avenue, Nancun, Panyu, Guangzhou, 511442, China  
 +86-20-3995 2379 Fax.: +86-20-3995 2330 [www.pr-lighting.com](http://www.pr-lighting.com)