

XR 200 BEAM DATA SHEET



XR 200 BEAM equipped with Platinum 5R lamp, moving beam light with an unprecedented brightness usually achievable only with far greater wattages. Weighing just 16 kg, produces a perfectly parallel, laser-like beam with an incredible output of 67,765 lx at 20m. With its light weight and modest footprint, XR 200 BEAM is small enough to be fitted anywhere – on trusses at live and TV events, on stage, in showrooms or conference rooms.

KEY FEATURES

- PHILIPS MSD Platinum 5R (8,000K) (189W)
- 1 color wheel with 14 dichroic color filters
- 1 fixed gobo wheel with 17 interchangeable gobos + white
- Beam Angle 0°~4° linearly adjustable
- DMX 0-100% linearly adjustable focus
- Double shutter blades, 0.3~20 FPS
- 1 Prism/Frost Wheel with 1 x CTO, 1 x frost, and 1 x 8-facet prism + white
- Channels: Short Mode: 10, Standard Mode: 14
- Pan 540°, Tilt 270° with auto position correction speed adjustable, with lock mechanism.
- Weight: 16Kg
- IP20
- Fixture usage time and software version display
- Modular construction for easy maintenance

Standard Accessories:

- G clamps, 2 pcs; XLR connectors, 1 set
- Safety cord, 2 pc;

Optional Accessories: Ω clamps, 2 pcs

TECHNICAL DATA

Power Supply: 100V/200V/220V/230V/240V AC 50/60Hz

Power Consumption: 280W@220V

Light Source:

- PHILIPS MSD Platinum 5R
- (8,000K, 2,000hrs)

COLORS:

1 Color Wheel

- 14 dichroic colour filters plus white
- variable speed and bi-directional rainbow effect
- linear colour changing is available

GOBOS:

1 Fixed gobo wheel

- 17 interchangeable gobos+ white
- Shaking and bi-directional wheel scrolling at variable speeds
- Gobo changing is available

Prism/Frost Wheel

- 8-facet rotating Prism(bi-directional with variable speeds)+CTO filter+ Frost Filter + White

Focusing: 0-100% linearly adjustable by Dmx

Stroke: Double shutter blades, 0.3~20 FPS

Head Movement:: Pan 540°, Tilt 270° with auto position correction

Beam Angle: 0°~4°, Linear zoom

Control

- DMX512, 3 pin and 5 pin interfaces
- 10 channels in short mode, 14 channels in standard mode
- Self-test mode

Other Functions

- Adjustable Pan & Tilt speed
- Fixture and lamp usage time display
- Modular construction for easy maintenance
- DMX512 wireless receiver (optional)
- DMX512 wireless transmitter (optional)

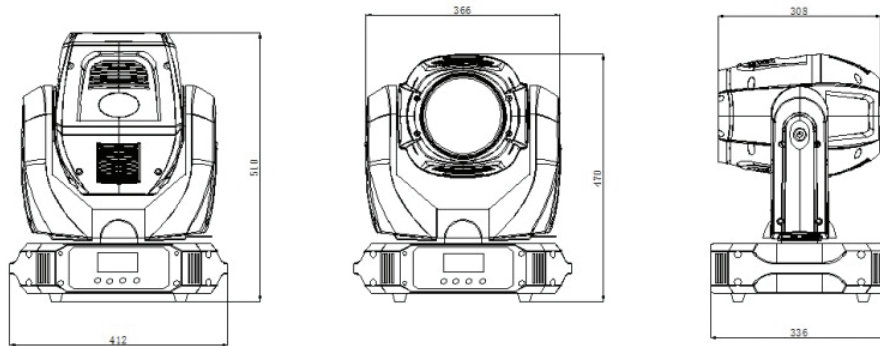
TECHNICAL DATA

Physical Features:

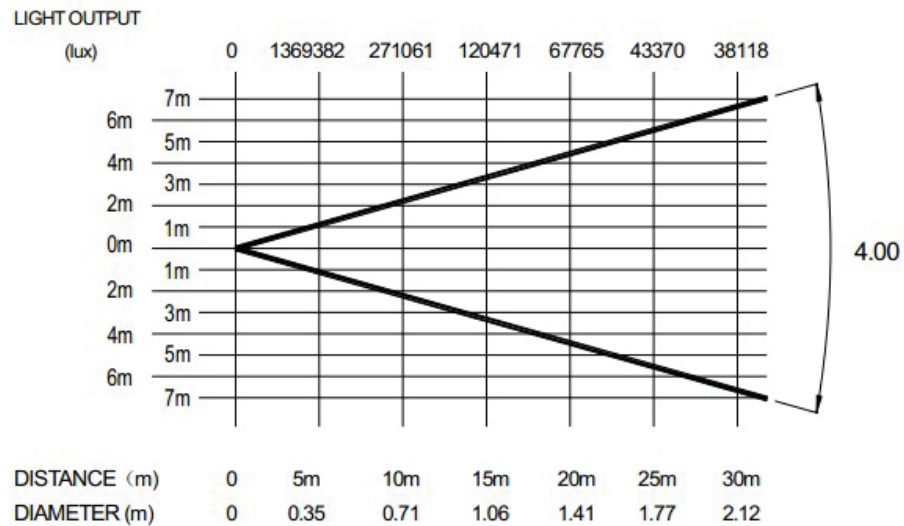
Housing: Composite plastic (IP20)

Weight: 16Kg

SIZE:



LIGHT OUTPUT:



Mega Systems Inc., US Distributor of PR Lighting
www.megasystemsinc.com • info@megasystemsinc.com
 Toll Free: 866-460-MEGA • Local: 210-684-2600
 18668 Highway 16 N., Helotes, Texas 78023

