

Name:PR6000 SPOT

Model:PR-6000 SPOT

TECHNICAL DATA

INPUT VOLTAGES:

200V/220V/230V/240V AC, 50/60Hz

POWER CONSUMPTION:

2300W@220V

LIGHT SOURCE:

PHILIPS	MSR Gold™ 2000/1 FastFit
Color temperature	5800K(2000W) / 6700K(1200W)
Lamp socket	PGJX50, single end
Rated life span	750 hrs

COLORS:

CYM color mixing system, with macro
1 color wheel:7 colors plus white
Half color effect, variable speed and bi-directional rainbow effect

CTO:

0-100% linear color temperature correction system

GOBOS:

2 rotating gobo wheel: each wheel with 6 replaceable gobos plus open, glass and metal gobos can be fixed
Bi-directionally rotating, index, shaking at variable speed and bi-directional scrolling effect
1 fixed gobo wheel: 7 replaceable gobos plus open
Shaking at variable speed and bi-directional scrolling effect
Gobo external diameter $\Phi 36.3\text{mm}$, image diameter $\Phi 26\text{mm}$

PRISM:

One 3-facet prism, bi-directionally rotating at variable speed, indexable

FROST:

0-100% linearly adjustable

ANIMATION WHEEL:

1 replaceable animation wheel(ripple or flame effect), bi-directionally rotating at variable speed

FOCUS:

DMX linearly adjustable

DIMMER:

0-100% linear adjustable

IRIS:

5-100% linear adjustable with macro

STROBE:

Double shutter blades, 0.3-25 F.P.S

HEAD MOVEMENT:

Pan 540° and Tilt 270°, with auto position correction

BEAM ANGLE:

7.3° -68° linearly adjustable

CONTROL:

International DMX512, 3 pins and 5 pins DMX 512 interfaces

RDM protocol

Short mode 25 channels, standard mode 31 channels, extended mode 38 channels

Self test mode

OTHER FUNCTIONS:

3 levels power: 2000W/1500W/1200W

High CRI

Adjustable Pan & Tilt speed

Fixture and lamp usage time display

LCD display with English and Chinese language menu

Energy saving function of the ballast

Built-in analyzer for easy fault finding, error messages

Setup options by chargeable battery inside without power connection.

Input signal isolating protection

Modular construction for easy maintenance

Network interface

DMX512 wireless receiver

DMX512 wireless transmitter (optional)

HOUSING:

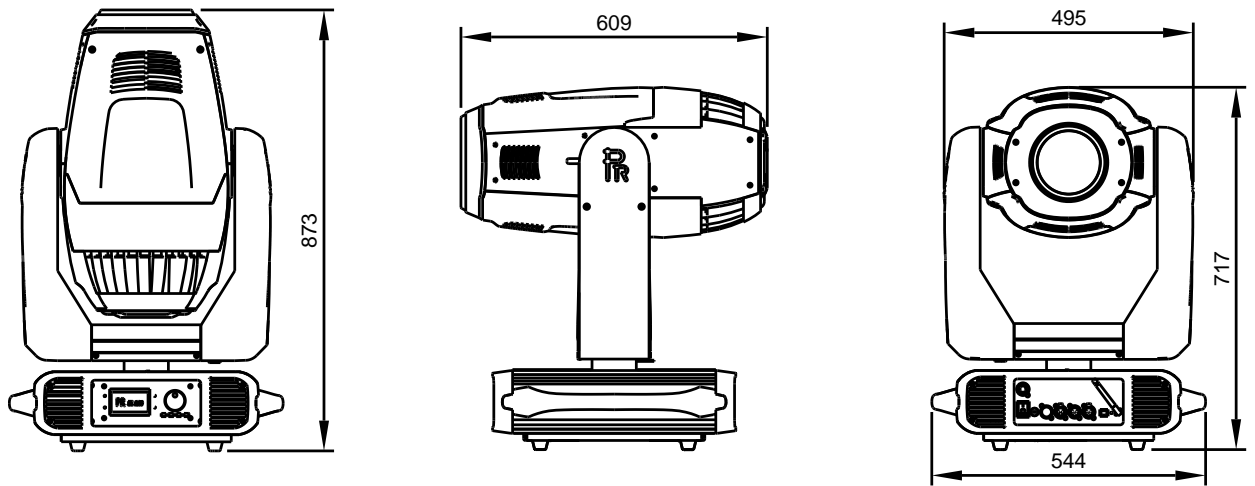
Composite plastic, IP20

WEIGHT:

45kgs

SIZES:

See below



LIGHT OUTPUT:

