

MEGA **LITE**

COLOR **PAC** SPOT ^{W300}



USER MANUAL

Table of Contents

Safety Information.....	3
Specifications.....	4
Main Power Connection.....	5
IR Controller.....	5
Main Control Menu.....	6
DMX Profile.....	8
Wireless DMX Set Up.....	9
Rigging the Fixture.....	10
Cleaning & Maintenance.....	10
Parts List.....	10

Check that the unit has not been damaged during transport



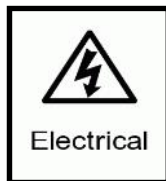
Read all cautions and warnings
prior to operation of this
equipment

Protection Against Fire



1. Maintain a minimum of 1 foot distance from any type of flame.
3. Replace fuse only with the specified type and rating.
4. Do Not install the unit too close to a heat source.
5. Make sure cables are properly secured
6. Maximum surface operating temperature 140°.

Protection Against Electrical Fire



1. Disconnect power before servicing.
2. For connection to main power supply proceed to page 5.
3. This unit must be earthed. (electronically grounded)
4. This fixture must not be left on for long periods of time.
5. This fixture is intended to be used indoors, do not expose fixture to water or rain.

Protection Against Mechanical Hazards



1. Use safety chain when hanging unit.
2. Use quality clamps or bolts when positioning unit
3. Do not open unit while it is on, risk of electrical shock.

Technical Information

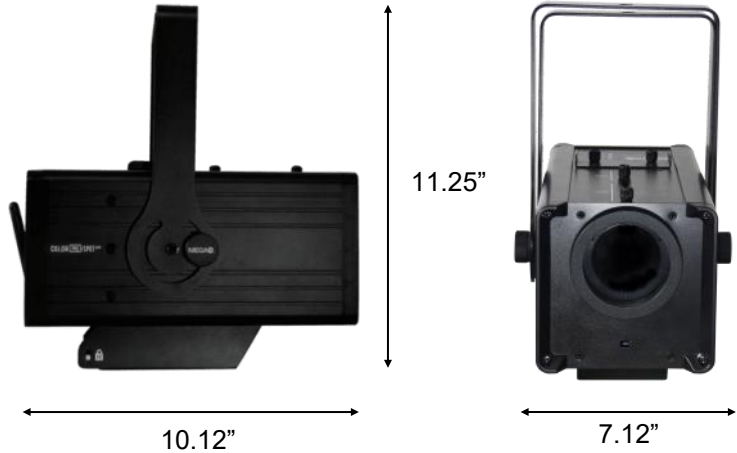
Part Numbers

7318 Color PAC Spot Q300

Mechanical Specifications

DMX Wireless:	Wireless Solutions W-DMX antenna
Thermal:	Maximum ambient temperature 104° Maximum surface temperature 140°
Fastening System:	11mm screw hole
Display:	Touch Sensitive
Power connection:	Power conn type
Zoom Angle:	15° - 25°
Gobo Index:	Yes
Gobo Size:	Outer size 27mm / Image size 18mm

Fixture	Packaged
Size: 7.12" x 10.12" x 11.25"	Size: 13" X 8.3" X 13"
Weight: 9lb	Weight: 10 lb



Electrical Specifications

LED Quantity:	1	Ballast:	Electronic
LED Watt:	30	Power Input Voltage:	110V-240 50/60 Hz
Color Type:	White	Power Consumption	Watts: 34 Amps: .48
LED Lifetime:	*60 to 100 thousand hours Average		

Control & Programming

DMX 512 Protocol	Via Wireless Solutions W-DMX or 3 pin XLR		
DMX Modes:	Mode 1	1 Channels	Dimmer
	Mode 2	2 Channels	Dimmer, Strobe
	Mode 4	8 Channels	Dimmer, Strobe, Macro, Gobo Rotation
Control Options:	IR Controller (included)		

Battery Life

Average Battery Life:			
High Mode:		Low Mode:	
Full Color:	4:25 Hr	Full Color:	8:05 Hr
Color Fading:	8:23 Hr	Color Fading:	13:50 Hr
Single Color:	14:50 Hr	Single Color:	24:10 Hr
Battery Cycle Life:	500 Recharges		
Battery Type:	Li-Ion 10400mAh 11.1V		

Photometrics

Photometrics at 10 Feet

CCT	6789 K
CRI	69.7
Lux	3227.9
fc	300.0



Main Power Connection

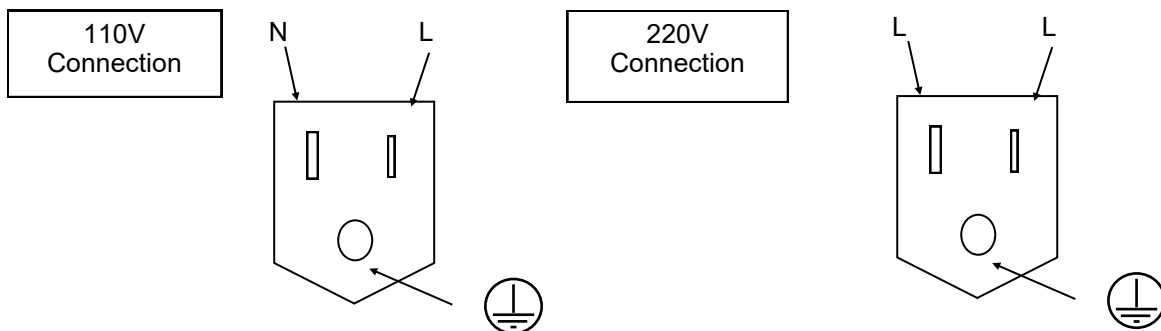
Caution!

1. Do not connect fixture to a dimmer system.
2. This unit has Auto switching power supply. It will respond to 110V or 220V automatically
3. This unit must be earthed. (electronically grounded)
4. Replace fuse only with the specified type and rating.

The occupation of the connection-cable is as follows:

This fixture is equipped with an electronic power supply that will let the unit operate from 100V to 240V from 50Hz to 60Hz

Cable (USA)	Cable (EU)	Pin	110V	220V
Black	Brown	Live	L	L
White	Light Blue	Neutral	N	L
Green	Yellow/Green	Ground		



IR Controller

To Enter IR control mode you must press On. And the fixture can't be set to Wireless DMX Control mode or Addr

IR Controller Functions

1. On/Off Function= Red On, Black Off
2. Dimmer Function=Up/Down
3. Single Color= **White**
4. Mixed Color= N/A
5. Flash= Fast Color Change (use dimmer buttons to control speed)
6. Strobe= Strobe the selected color (use dimmer buttons to control speed)
7. Fade= Fade between colors (use dimmer buttons to control speed)
8. Smooth=Gobo Rotation (use dimmer buttons to control position & speed)



Note: IR Controller should be pointed directly at fixture output.


Display Menu

The control board on the fixture is your interface to access and control all the functions on the unit. Its digital display gives you a code view of the options and functions. The following will explain each function and its options.

CONTROL BOARD



DMX Address	DMX Mode	Strobe	White Dimmer	Gobo Rotation	Display	Dimming Mode	Power Mode	Display Lock	Software	Reset
Addr	CHnd	FLAS	UL--	Gobo	LED	mode	POU-	LoC	UErn	rEst
1-512	1,2,4,-Ch	0-99	0-255	0-255	Off 10,30,60 or 90	0-4	Hi,Low	Off,On	Ve	Yes,No

Use the Menu  Button to select Menu options

Addr DMX Address

Press **Enter** to select the DMX start channel use the **up/down** keys, display will be flashing once you have selected the desired start channel Press **Enter** to confirm display will stop flashing.

CHnd DMX Mode

This function allows you to select the mode in which you want to control the fixture. Press **Enter** use the **up/down** keys to select desired DMX mode settings. Press **Enter** to confirm the settings.

- 1CH Mode Dimmer
- 2CH Mode Dimmer, Strobe
- 4CH Mode Dimmer, Strobe, Macro, Gobo Rotation

FLAS Flash

This function allows you to strobe all the LED's. Press **Enter** use the **up/down** keys to select desired strobe speed settings from 0 to 99. Press **Enter** to confirm the settings.

UL-- White Dimmer

This function allows you to dim up or down the white LED's . Press **Enter** use the **up/down** keys to select desired dimmer settings. Press **Enter** to confirm the settings.

G o b o Gobo Rotation

This function allows you to rotate the indexing gobo. Press **Enter** use the **up/down** keys to select desired position or speed settings. Press **Enter** to confirm the settings.

L E D Display Screen

This function allows you to set the display turn off time. Press **Enter** use the **up/down** keys to select desired turn off time settings from 10,30,60 and 90 seconds. Press **Enter** to confirm the settings.

n o d e Dimming Mode

This function allows you to change dimming speeds all the LED's. Press **Enter** use the **up/down** keys to select desired dimming speed settings from 0 to 4 (0 fastest 4 slowest). Press **Enter** to confirm the settings.

P o w e r Power Save

This function allows you to place the fixture on power save mode for extending the battery life. Press **Enter** use the **up/down** keys to select desired intensity output from **Hi** to **Low**. Press **Enter** to confirm the settings.

L o c k Lock

This function allows you to lock the fixture display. Press **Enter** use the **up/down** keys to select desired locking settings from Off to On. Press **Enter** to confirm the settings. To unlock press and hold **enter** and **down** for 3 seconds.

U E R n Software Version

This function informs you software version the units is operating under.

r e s e t Reset

This function resets motor and dimmer functions. Press **Enter** use the **up/down** keys to select **Yes** or **No** to return to menu.

DMX Profile

Color PAC Spot W300 1CH Mode

DMX Channel	Function	Description	Value	Init
1	Dimmer	Dimmer Off to Full	0-255	255

Color PAC Spot W300 2CH Mode

DMX Channel	Function	Description	Value	Init
1	Dimmer	Dimmer Off to Full	0-255	255
2	Strobe	No Function	0-1	0
		Strobe (slow to fast)	2-196	
		Random Strobe (slow to fast)	197-255	

Color PAC Spot W300 4CH Mode

DMX Channel	Function	Description	Value	Init
1	Dimmer	Dimmer Off to Full	0-255	255
2	Strobe	No Function	0-1	0
		Strobe (slow to fast)	2-196	
		Random Strobe (slow to fast)	197-255	
3	Macro	No Function	0-1	0
		Macro Effect 1 (slow to fast)	2-50	
		Macro Effect 2 (slow to fast)	51-100	
		Macro Effect 3 (slow to fast)	101-150	
		Macro Effect 4 (slow to fast)	151-200	
4	Gobo Rotation	Macro Effect 5 (slow to fast)	201-255	0
		Gobo Index	0-150	
		Clock Wise Rotation (Slow to Fast)	151-200	
		Stop	201-205	
		Counter Clock Wise Rotation (Slow to Fast)	206-255	

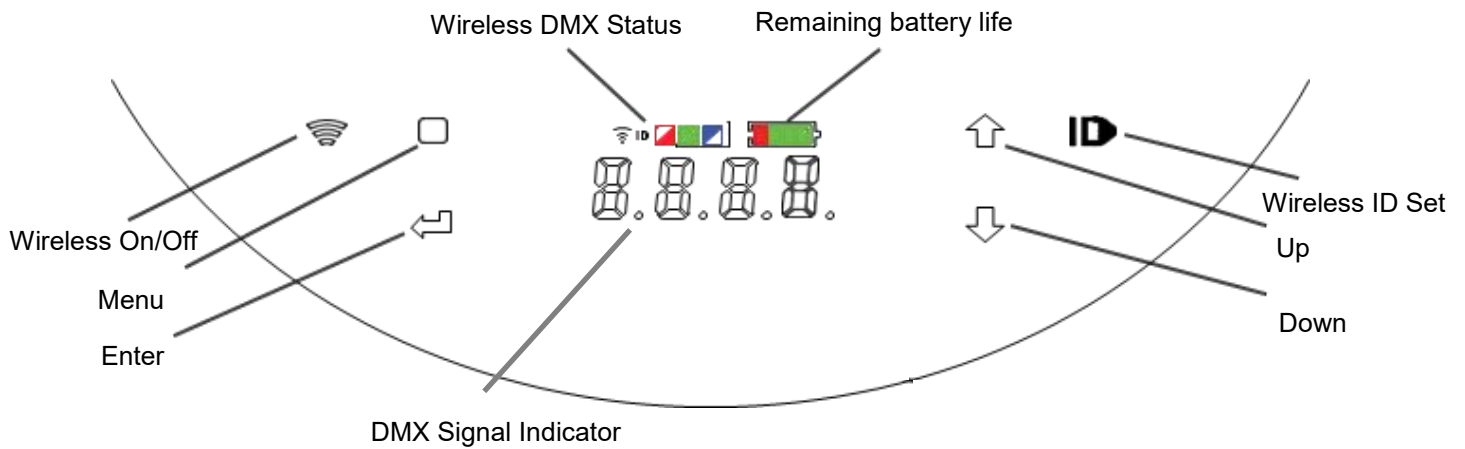
Gobo's

Fixture will ship with these spare gobo's included

Gobo Size 27mm / Image Size 18mm



Wireless DMX Setup



Turn On: Turn on the Wireless function by pressing the wireless On/Off to on.

Release Fixture: To release the fixture from the connection of a previous signal. Press and hold the **ID** button for 3 seconds or until all 3 color indicators will turn on red, green and blue.

Connect Fixture using a Mega Air Pro Transmitter: To connect the fixture to a new connection. Press quickly the **Function** button on the Mega Air Pro Transmitter. The red, green and blue indicators will flash until signal is locked in. Once signal is located the indicator will slowly flash to Green.



Connect Fixture using a Color Pac DMX Controller: To connect the fixture to a new connection. Turn on the wireless function on the controller. Press quickly the ID button on the Color PAC DMX Controller. The red, green and blue indicators will flash until signal is locked in. Once signal is located the indicator will slowly flash to Green.

Note: Make sure the fixture is on DMX Mode with the correct start channel.



Rigging the fixture

Caution!

1. The installations must be carried out by an authorized dealer or trained professional.
2. Unit may cause severe injuries if you have doubts concerning the safety do not install.
3. Unit is to be 24 inches away from flammable materials (decoration material)
4. Use high quality installation equipment to hang unit.

When rigging a unit it is very important that you follow common safety procedures. Rigging requires extensive experience including but not limited to calculating working loads, material being used and periodic safety inspections. If you lack these qualifications, do not attempt the installation yourself, instead use a professional structural rigger.

When rigging the unit always be secured with a secondary safety attachment. The installation location of the fixture has got to be built in the way that it can hold 10 times the weight for 1 hour with out any harming. Installation should be checked at least one time a year by a skilled person.

Cleaning and Maintenance

Installation Maintenance: The operator has to make sure that the unit is operating safely and has the installations and electronics checked by an expert every year.

The following points have to be considered during the inspection:

- 1) All screws used for installing the device or part of the device have to be tightly connected and must not be corroded.
- 2) There must not be any deformations on the housing, fixation and installation spots (ceiling, suspension, trussing).
- 3) The electronic power supply cables must not show any damages, material fatigue (e.g. porous cables) or sediments. Further instructions depending on the installation spot and usage have to be adhered by a skilled installer and any safety problems have to be removed.

Note: There is no serviceable parts inside the device except for the fuse. Maintenance and service operations are to be carried out by authorized dealers.

Replacing the fuse: Only replace the fuse with the same type and rating.

Replacing the power cable: If the power cable of this device becomes damaged, it has to be replaced by authorized dealers only

Should you have further questions , please contact your dealer.

Parts List

7317-FG	Front Glass
7317-MPCB	Main PCB card
7317-PS	Power Supply
7317-DIS	Display
7317-LED	LED
7317-SCR	Thumb Screw Set
7310-KN	Knob Set
7317-BAT	Battery
7317-ANT	Wireless Solutions Antenna

Accessories

7316	Color Pac 150 DMX (wireless controller)
7317-GH	Gobo Holder (included)
7317-GR	Gobo Ring (included)
7317-GC	Gobo Clip (included)
7310-BAG	1 Unit Travel Bag
7310-IRC	IR Controller (included)

Warranty Information

Warranty Conditions

-Unless otherwise stated in writing, your product is covered by a one year parts and labor limited warranty.

-LEDs are not guaranteed to match in color temperature or output.

-It is the owner's responsibility to furnish receipts or invoices for verification of purchase, date, and reseller or distributor. If purchase date cannot be provided, date of manufacture will be used to determine warranty period.

-Goods returned under warranty must follow the proper authorization procedure and must be accompanied by a copy of the original invoice.

-Goods repaired under warranty will be returned to the owner with the freight prepaid by MSI via the most economical means of shipment.

-Repair or replacement as provided for under this warranty is the exclusive remedy of the consumer. MEGA SYSTEMS INC. makes no warranties, express or implied, with respect to any product, and Mega Systems specifically disclaims any warranty of merchantability or fitness for a particular purpose. Mega Systems shall not be liable for any indirect, incidental or consequential damage, including lost profit, sustained or incurred in connection with any product or caused by product defect or the partial or total failure of any product regardless of the form of action, weather in contract, tort (including negligence), strict liability or otherwise, and weather or not such damage was foreseen or unforeseen.

- Warranty is void if the product is misused, damaged, modified in any way, or for unauthorized repairs or parts. This warranty gives you specific legal rights, and you may also have other rights which vary from state to state.

Customer Support

Mega Lite has a customer support line to provide set up help and to answer any question should you encounter a problem. Please visit our website for any other related technical documents. For service related issue please contact our service dept.

Monday—Friday 9am to 6pm CST

Voice: 210-684-2600

E-mail: service@megasystemsinc.com



Mega-Lite
18668 Highway 16N
Helotes, TX 78023
Ph 210-684-2600 Fax 210-855-6279
www.mega-lite.com / info@mega-lite.com